

Technical Information

No. 5628

Edition: 04/08 - subject to change

Substitutes: new

Status: valid



Xenon Short Arc Lamp

XBO[®] 6000 W/HS XL OFR

■ Product description

The OSRAM XBO[®] 6000 W/HS XL OFR is a DC-operated lamp, developed with the latest high brightness technology for XBO lamps. The XL lamps, which stands for Xtreme life, are strictly optimized on performance and have an increased warranty up to 50%.

■ Technical data

Order reference XBO[®] 6000 W/HS XL OFR

Rated lamp wattage W 5900

Rated lamp voltage V 37

Rated lamp current (=) A 160

Current control range A 110 - 165

Ignition voltage kV_p 40

Min. open circuit voltage for cold / hot ignition V 85 / 110

Luminous flux lm 280000

Luminous intensity cd 40000

Average luminance cd/cm² 105000

Luminous area w x h *) mm 2.0 x 7.5

Electrode gap e (cold) mm 9,0

Lamp length (overall) l₁ mm max. 433

Lamp length l₂ mm max. 393

LCL a mm 170,5

Bulb diameter d mm 70

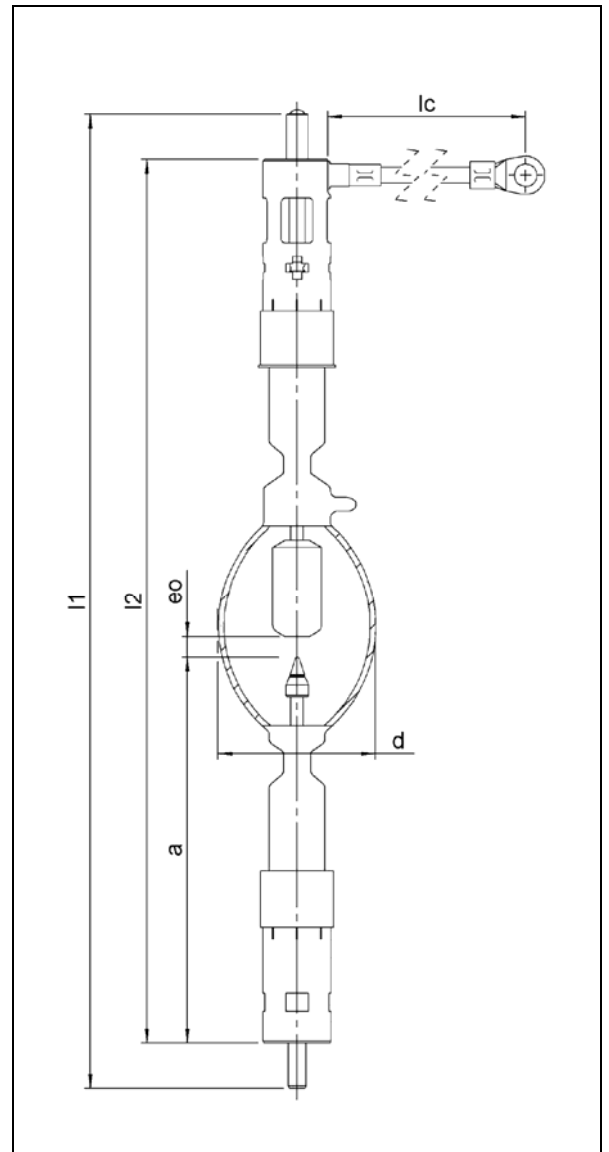
Warranty h 750

Base Cathode: SFa 30-7,9

Anode: SFa X 30-9,5

Cable length l_c mm 400

*) w = luminance half width value; h = height of luminance area (corresponds to electrode gap, hot)



■ Lamp operation

Maximum permissible base temperature 230°C

Cooling forced cooling / fan

Min. air flow velocity around discharge vessel 6 m/s

Magnetic arc stabilization necessary for horizontal operation

Burning position s 15 (vertical ± 15° ; anode up) ; p 15 (horizontal ± 15°)